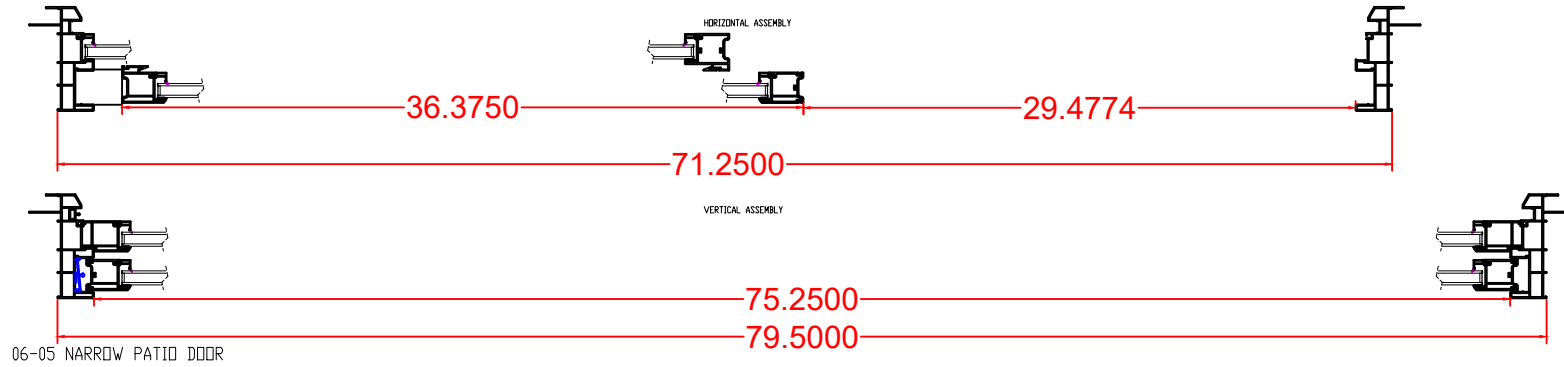


REV. #:	REVISIONS:	REVISED BY:	DATE:



DISCLOSURE STATEMENT

This document is the property of Simonton Windows, which retains all proprietary and other rights to its subject matter. This document is provided to the recipient on the expressed condition that it is not to be disclosed, reproduced in whole or part, nor used in conjunction with the design, manufacture or repair of goods for anyone other than Simonton Windows without its consent. This restriction does not limit the recipient's rights to utilize information contained in this document which is properly obtained from another source.

FILE: 959697

MATERIAL:	
RMS FINISH:	EXCEPT AS NOTED
ALLOY & TEMPER:	AREA:
WEIGHT:	VOLUME:
SURFACE AREA:	PERIMETER:
FINISH TREATMENT:	

Dimensional Tolerances
Unless Otherwise Specified

Decimals Angles

.X ± .03
.XX ± .01
.XXX ± .005

0° ± 30 min.

SIMONTON
W I N D O W S

1 Cochrane Avenue
Pennsboro, WV 26415

SIZE: A	DRAWING NO.: 959697	REV.:
DRAWN BY: pge	DATE: 1/10/20	CHECKED BY:
SCALE: Fit	SHEET: 1 of 1	APPR'V'D BY:
SERIES:		
TITLE:		

959697