



VINYL GREENHOUSE WINDOW

NEW CONSTRUCTION
INSTALLATION INSTRUCTIONS

REPLACEMENT
INSTALLATION INSTRUCTIONS

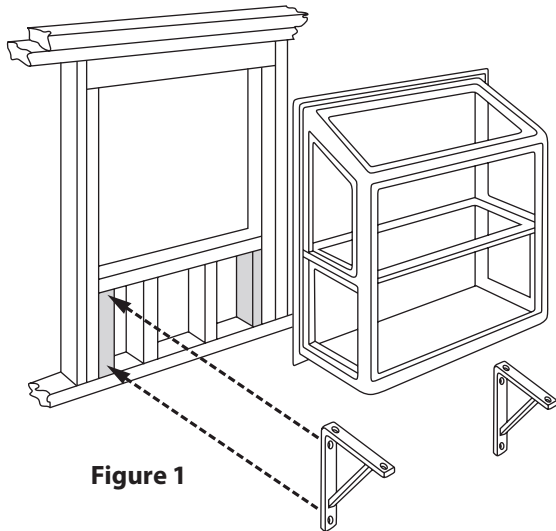


Figure 1

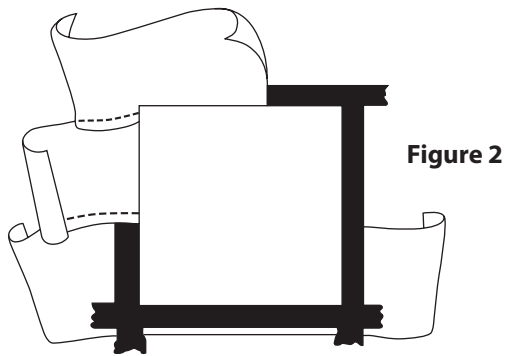


Figure 2

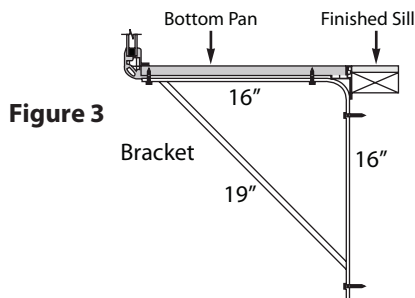


Figure 3

1. Frame rough opening equal to window call out size. Rough opening should be plumb & square and the sill should be level. For custom size Simonton Windows® Greenhouse Windows, the suggested rough opening size is:

Width: 7" less Fin-to-Fin Dimension
Height: 4-1/8" less Fin-to-Fin Dimension

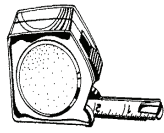
Note: (For existing construction) Remove enough exterior wall material to mount window nailing-fins to studs. Nail fins must lay flat against existing studs.

2. Apply the flashing paper in the normal manner. First, apply to the sill-strip then to the jamb-strips. The top flashing goes on after the window is installed and overlaps the top window fin (see Figure 2). Must be installed per AAMA2400-02.
3. Center the Simonton Windows® Greenhouse Window in rough opening allowing equal clearance on both sides and top. Bottom pan should line up with the finished sill height, allowing for any inside additional material such as tile (see Figure 3). Attach window to jambs, sill and header with screws long enough to penetrate through any furring strips and at least 1-1/2" into framing, every 12". A ribbon of caulking between the frame and flashing is a must.
4. On 5'-0" to 6'-0" wide windows, support bracing is required on each end of the window (Warranty will be void without proper support). These supports can be constructed as part of the wall framing or metal support brackets may be fabricated to adequately support the window. Fasteners to be supplied by installer (1/4" x 3" lag screws are suggested for wall mounting). Brackets must attach to the vertical studs below the window (see Figure 3).
5. Fastening the bracket to the bottom pan is not necessary. If fasteners are desired, the MAXIMUM screw length will be 3/4" as shown in Figure 3. Use caution when attaching as not to penetrate the inside pan surface.

Rev: 08/20/09

IMPORTANT: REVIEW ALL INSTRUCTIONS THOROUGHLY BEFORE STARTING STEP 1

TOOLS & MATERIALS REQUIRED



Tape Measure



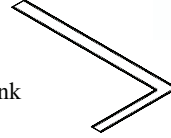
Drill Motor & 3/16" Drill Bit



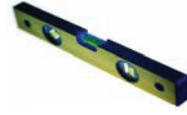
Caulking Gun



Countersink



Framing Square



Level



Stud Finder



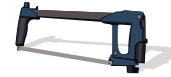
Flat Head Screws



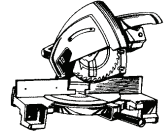
Caulk



1/4" x 3" Lag Bolts



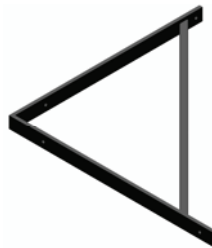
Hack or Chop Saw



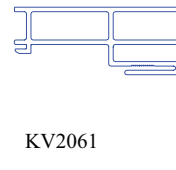
PARTS INCLUDED



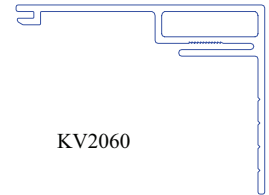
K series Window



J1010 Bracket (2)



KV2061



KV2060

VERIFY THE WINDOW DIMENSIONS

1 The window width should be 1/8" smaller than the opening width. The window height should be 1/8" less than the opening height. (Figures 1 and 2)

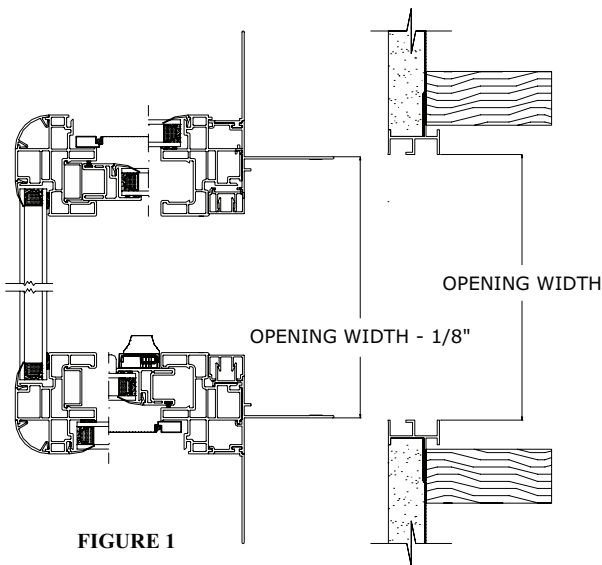


FIGURE 1

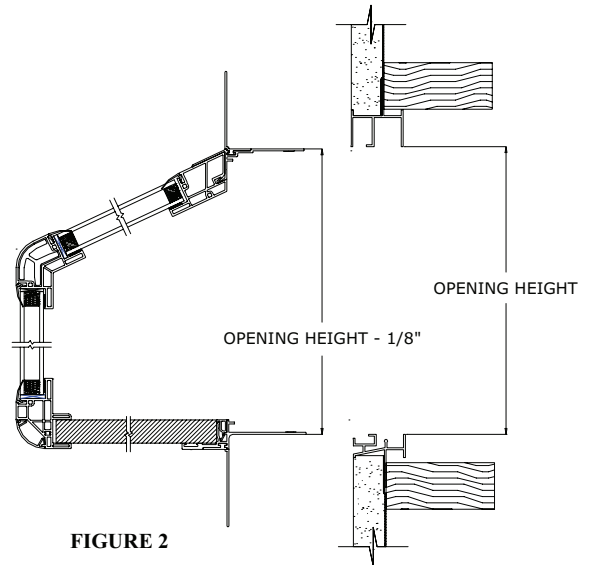


FIGURE 2

PREPARE THE OPENING

2 Remove the existing sash and meeting rail. Insure the opening is clear of any obstructions. Clean the exterior surface where the radial flange will touch. The radial flange will extend approximately 2 1/2" beyond the opening. (Figure 3)

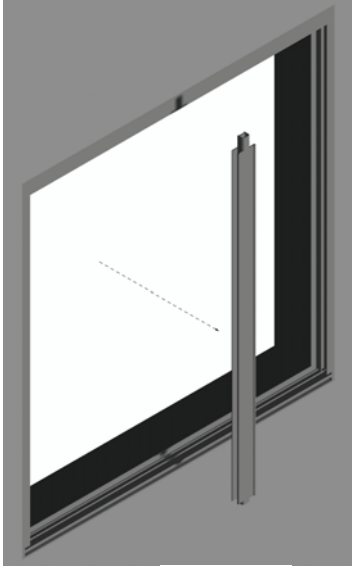


FIGURE 3

DETERMINE SCREW LOCATION AND SIZE

3 Measure in from the face of the opening to point you are sure your screws will engage the framing around the existing window. It may be necessary to go through the existing frame. It is recommended that you select screws at least #10 in diameter and long enough to penetrate the framing by at least one inch. (Figure 4)

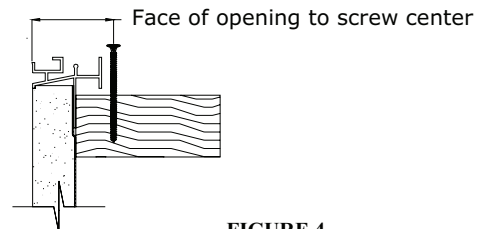
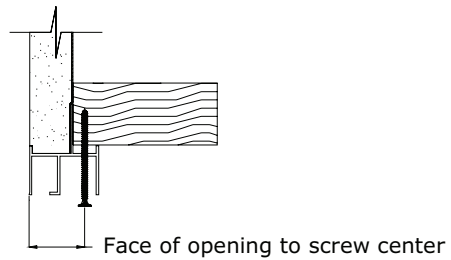


FIGURE 4

PREDRILL THE FLANGE

4 Using the dimension obtained in Step 3, on 12 inch centers, drill clearance holes for your screws the complete perimeter of the horizontal flange. Countersink the holes so that the screw heads are flush with the surface of the horizontal flange. (Figure 5)

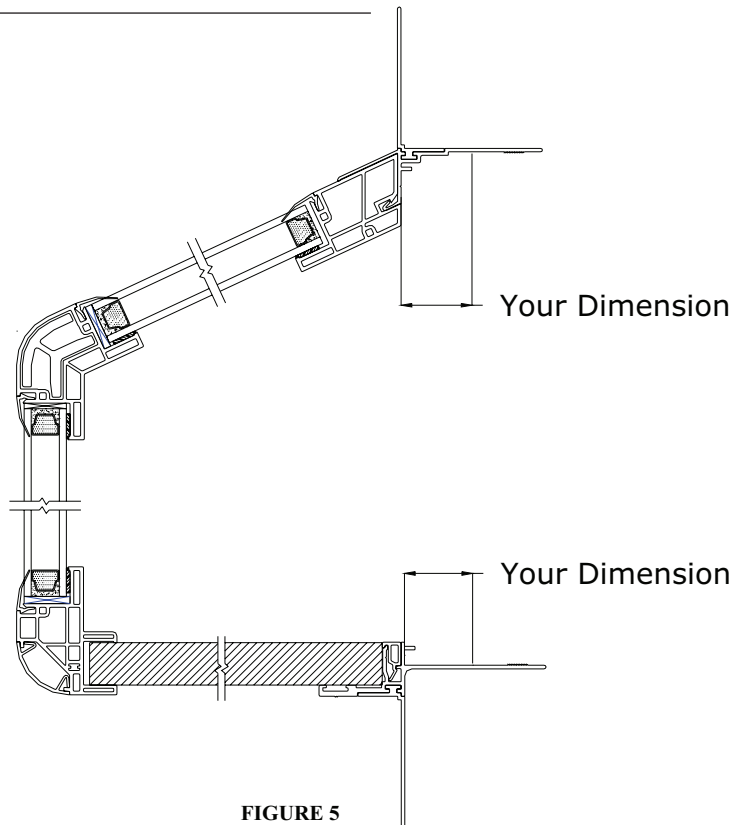


FIGURE 5

CAULK THE FLANGE

5 **Caulk the Flange**
 Liberally apply caulking in at least 3/16" diameter bead to the radial flange, paying particular attention to the corners where the flanges come together. Make sure all the joints are covered. (Figure 6)

NOTE: The weatherability of the installation is the responsibility of the installer. Simonton Windows® will NOT be liable for damages related to a poor or incorrect installation.

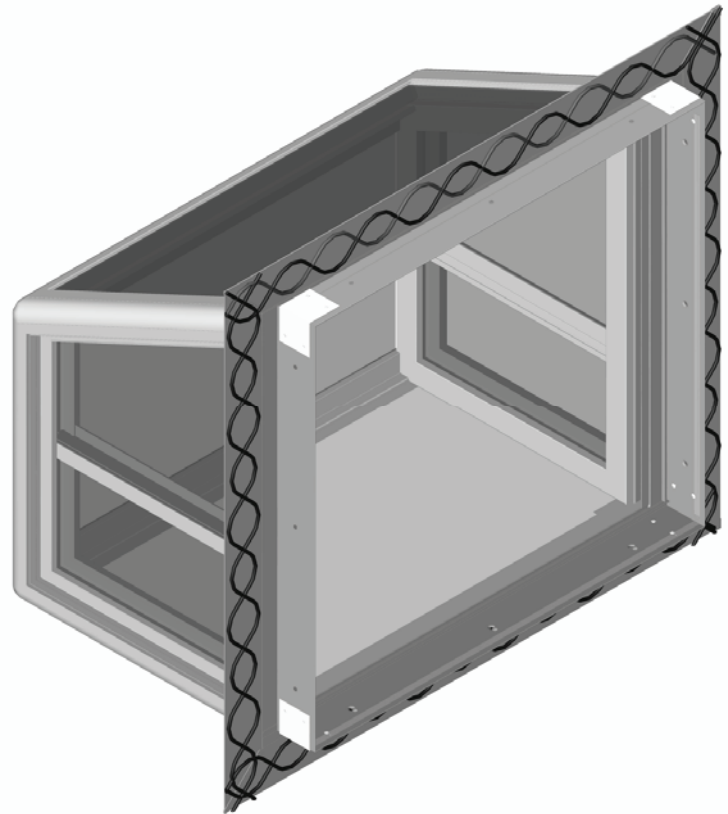


FIGURE 6

INSTALL THE WINDOW IN THE OPENING**6** Note: This operation will require at least three people.

Two people lift the window into the opening, and the third screws the window into place, insuring the window is plumb, level, and square. It is important to tighten the screws only enough to hold the window in place. Do not tighten so much the flange is distorted. (Figure 7)

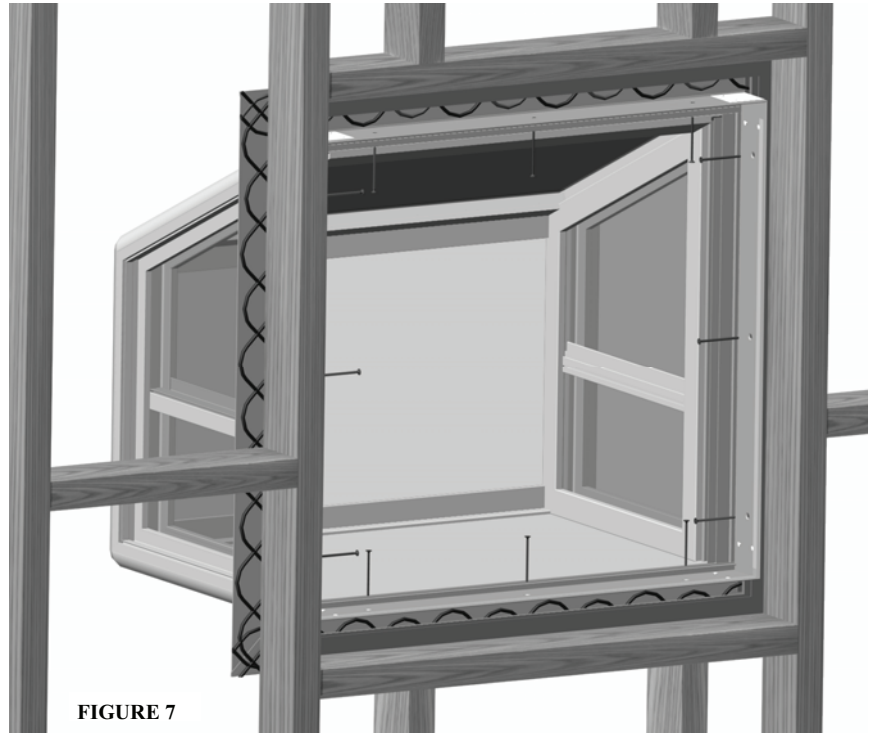


FIGURE 7

Note: Interior and exterior walls removed for clarity

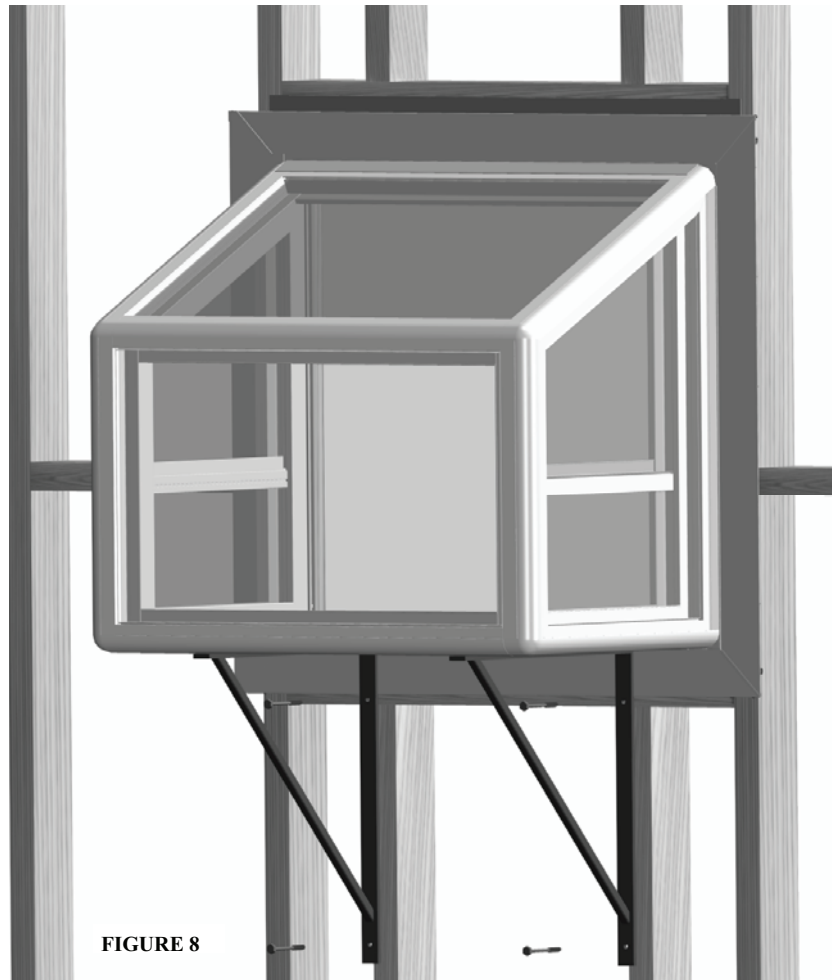
INSTALL THE SUPPORT BRACKETS**7** Using the stud finder or other method, locate studs as close to the outside edges of the window as possible. Butt the horizontal leg of the bracket against the underside of the window, and mark the locations of the mounting holes. Drill pilot holes at these locations, and install the support brackets using the 1/4" x 3" lag bolts. (Figure 8)

FIGURE 8

OPTIONAL. INSTALL THE TRIM STRIPS.

NOTE: THE TRIM STRIPS ARE PROVIDED FOR YOUR CONVENIENCE. YOU MAY WISH TO FINISH OUT THE INTERIOR OPENING IN ANOTHER MANNER.

8.a

opening in another manner.

Locate the KV2060. Note which of the KV2061 pieces is the same length as the KV2060. (Figures 9 and 10) This is the head trim. Cut the sill and head trim to the same width as the interior opening. (Figure 11) Measure the opening at both head and sill before cutting the trim. Notch the trim to fit inside the vertical flanges. (Figures 12 and 13)

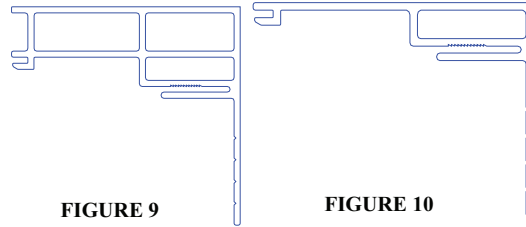
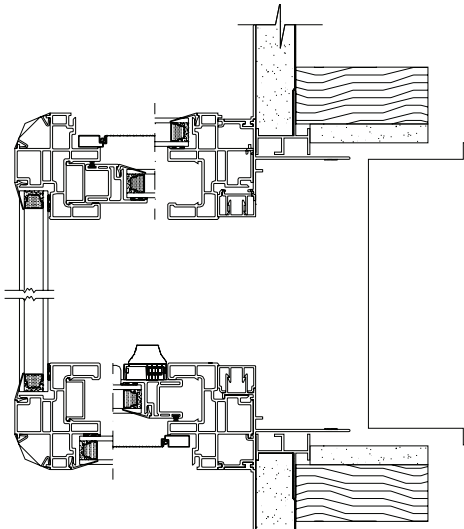


FIGURE 9
KV2061
Head and Jamb

FIGURE 10
KV2060
Sill

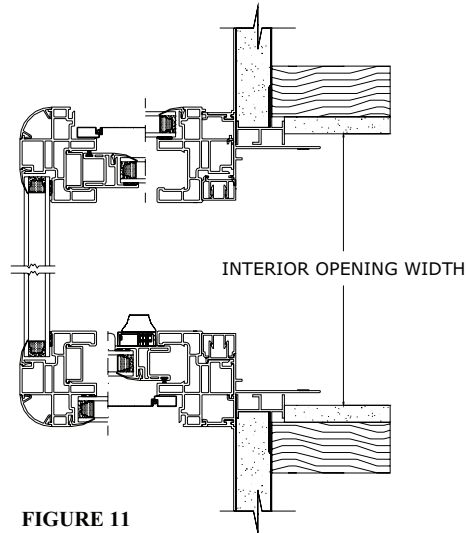


FIGURE 11

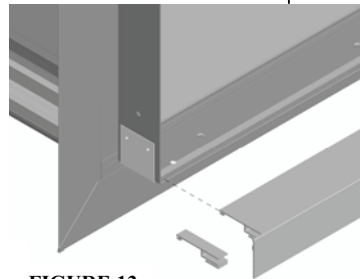
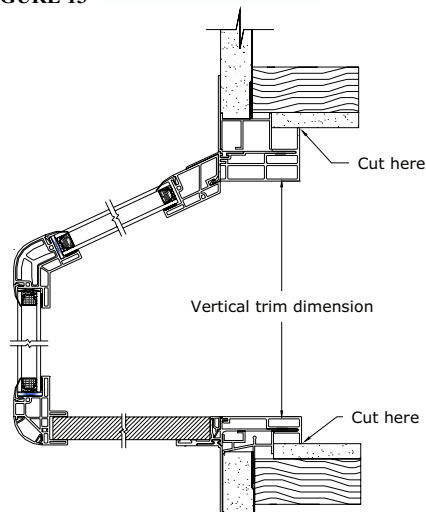


FIGURE 13

8.b

Strips.

Determine the height of the trim flange and cut to size. (Figure 14) Install the horizontal trim, and cut the vertical trim to fit. Determine the height of the vertical trim flange, cut and install. Your installation is complete.



DO NOT USE Petroleum, Aromatic, Aliphatic, Acetone, or Ammonia based cleaners or solvents on any surface of the **Simonton Windows®** Vinyl Greenhouse Window. The use of these cleaners on any surface will void the warranty on the window and materials. The factory **recommends** the use of warm soapy water to clean vinyl surfaces.

This window is covered under one or more of the following U.S. Patents: D320,952 6,588,146.
The retro-fin system is patent pending.

